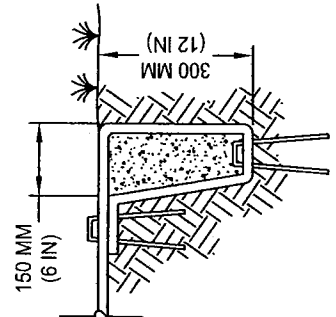
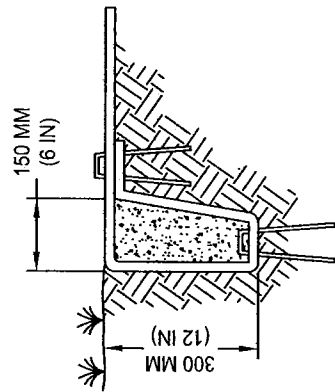


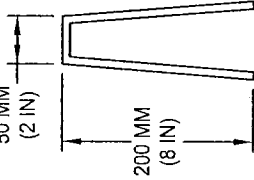
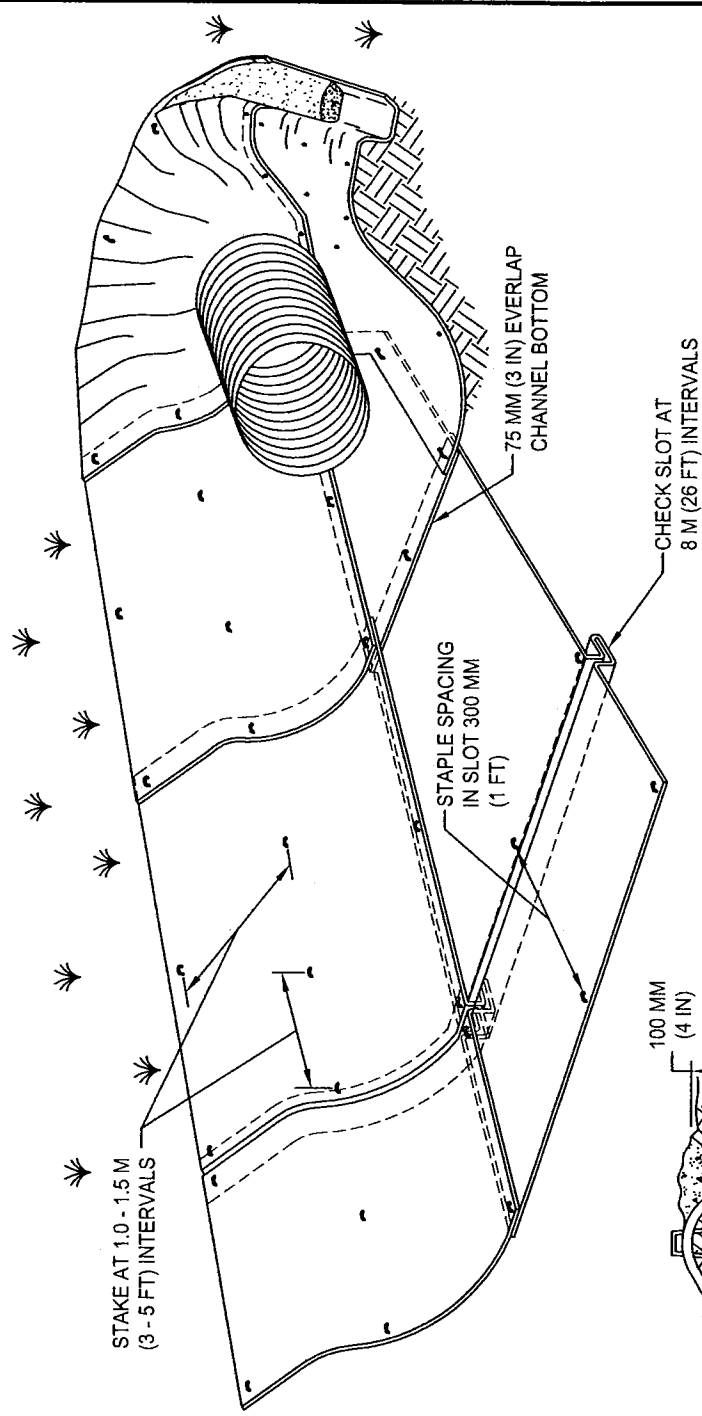
**CHECK SLOT**



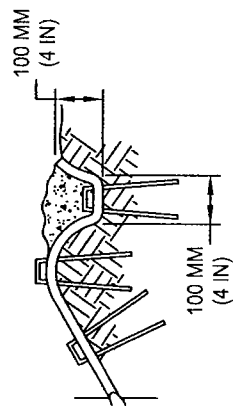
**INITIAL CHANNEL ANCHOR TRENCH**



**TERMINAL SLOPE AND CHANNEL ANCHOR TRENCH**



**WIRE STAPLES**



**LONGITUDINAL ANCHOR TRENCH**

**TYPICAL CHANNEL SOIL STABILIZATION**

**NOTE:**

- 1. CONSTRUCTION OF CHECK SLOTS, STAKING, STAPLING LAYOUT, AND MAT INSTALLATION ALL TO BE DONE PER MANUFACTURER'S SPECIFICATIONS.

DATE: 01/16/2007		NOT TO SCALE	
REVISION	BY	APPROVED	DATE

CITY OF ELK GROVE - PUBLIC WORKS

**EROSION CONTROL BLANKETS / MATS CHANNEL INSTALLATION**

APPROVED BY:  
CITY ENGINEER

DRAWING NUMBER  
**SQ - 9A**

